

ASSY-MOUNT-B3S-01

info@iter-systems.com

ISSUE	DATE	MODIFICATION	WRITER	CHECKER	ITER Systems 3 rue du lac du Mont Cenis 73290 La Motte-Servolex, France 	DESCRIPTION	DOCUMENT NUMBER
-	-	-	-	-	ITER Systems 3 rue du lac du Mont Cenis 73290 La Motte-Servolex, France 	Bathyswath-3 Sigma Mount part breakdown PROJECT: 4003_Bathyswath-3 All dimensions in mm – Original frame size: 400x280 www.iter-systems.com - info@iter-systems.com	ASSY-MOUNT-B3S-01
1.03	20/07/23	Acoustic center verification & correction	MSE	JSS			CLASSIFICATION
1.02	16/02/23	Offset calculation & center point corrections	MSE	JSS			Commercial in Confidence
1.01	25/01/23	P7- Transducer side view information changed	JSS	-			PAGE NUMBER
1.00	12/01/23	Initial document	SBT	DMA			1 OF 6

A3

Table of contents

<i>Cover page</i>	<i>Page 1</i>
<i>Table of contents</i>	<i>Page 2</i>
<i>Mounting composition</i>	<i>Page 3</i>
<i>Mounting offsets – Longitudinal antennas</i>	<i>Page 4</i>
<i>Mounting offsets – Lateral antennas</i>	<i>Page 5</i>
<i>Transducer centers</i>	<i>Page 6</i>

CLASSIFICATION
Unclassified

PAGE TITLE
Table of contents

PAGE NUMBER
2 OF 6

1

2

3

4

5

6

7

8

9

10

Mounting comp.



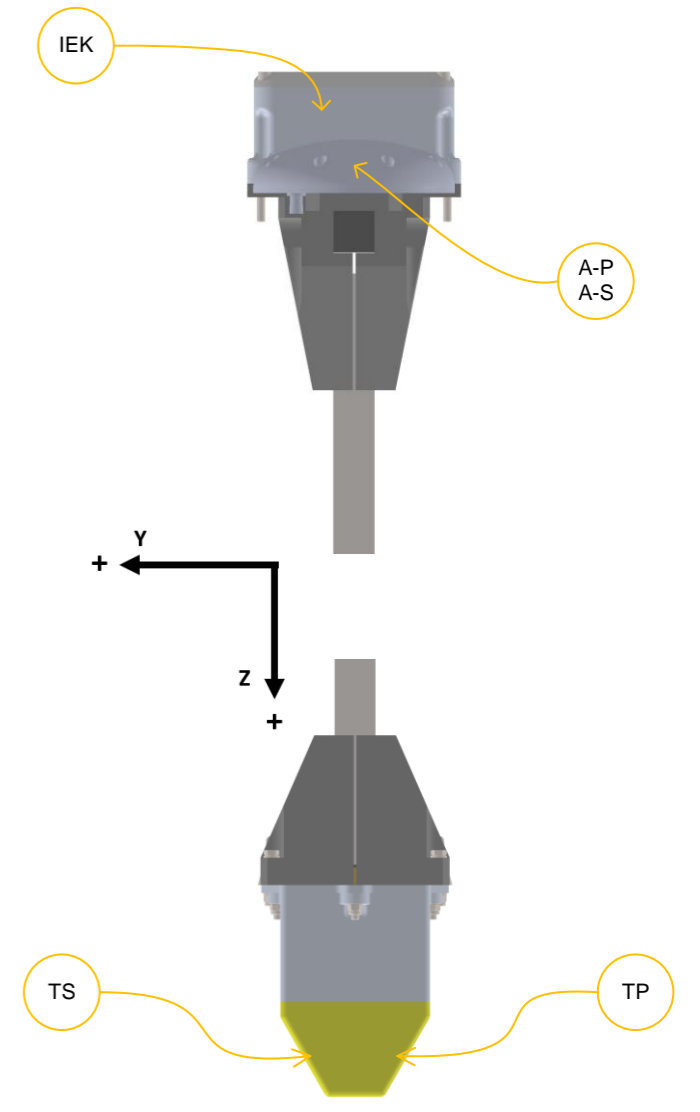
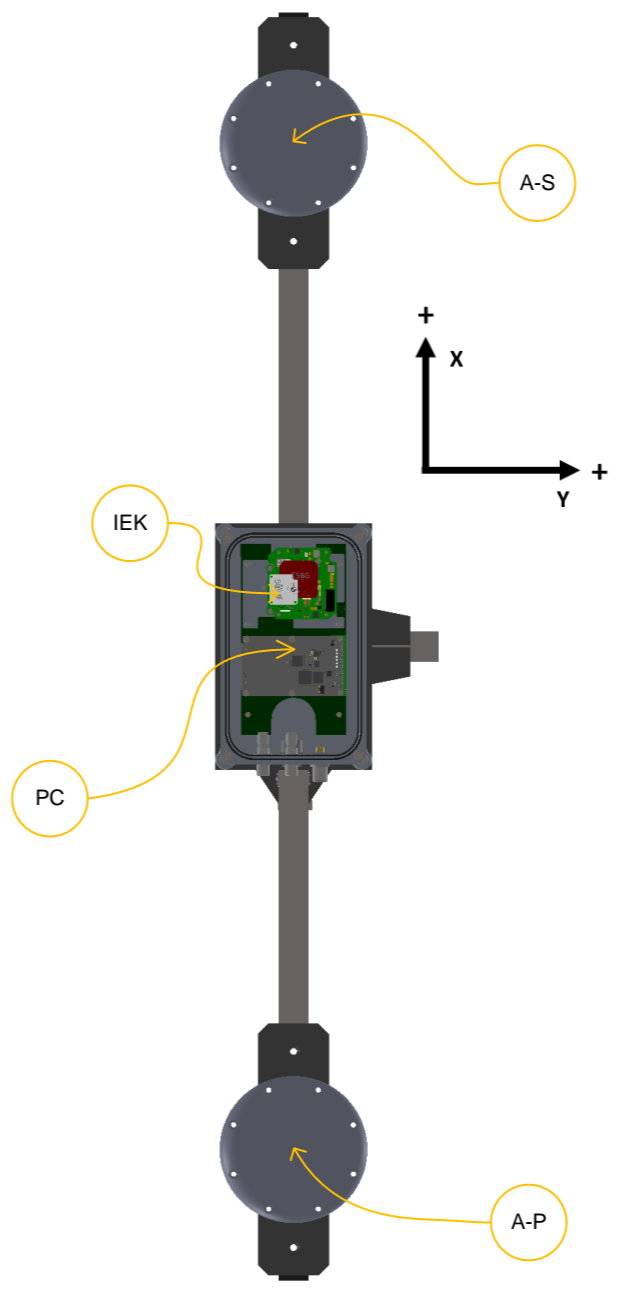
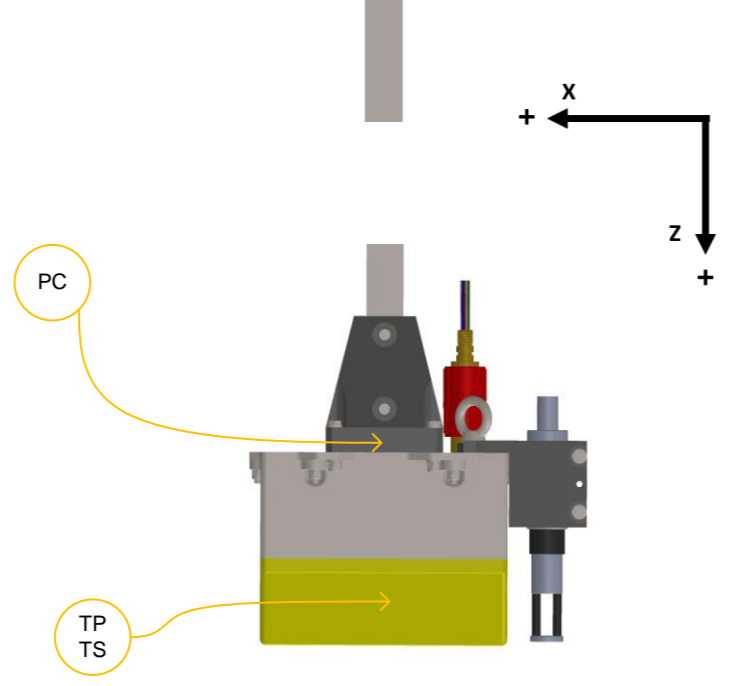
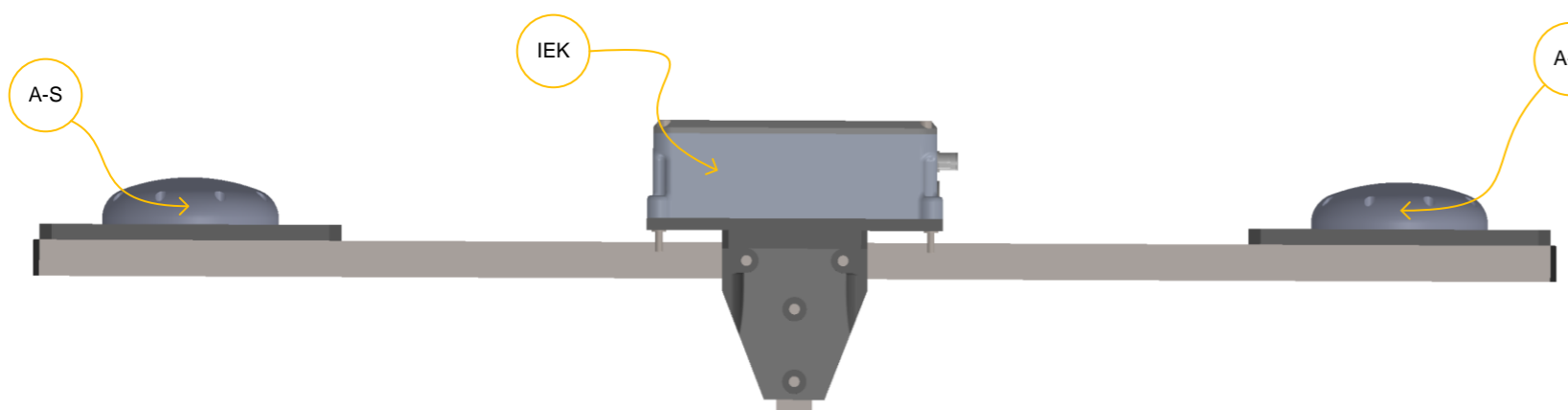
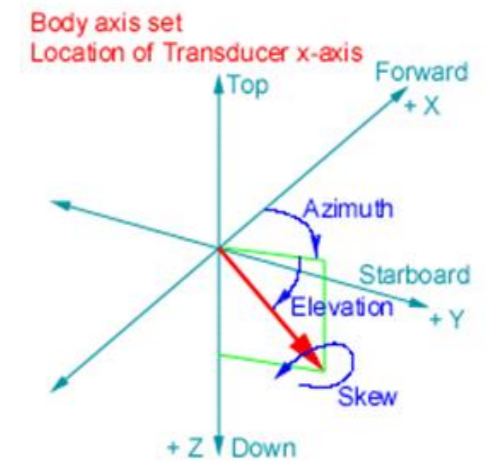
Composition


Item #	Designation	Quantity
1	ASSY-SYST-NAVBOX	1
2	Navbox mounting kit	1
3	ASSY-SYST-SIGMA	1
4	AML velocity sensor	1
5	AML mounting kit	1
6	Sigma pole mounting kit	1
7	T pole mounting kit	2
8	Trimble AV59 antenna	2
9	Trimble AV59 mounting kit	2
10	Square tube 30 (type 1) – 2000mm	1
11	Square tube 30 (type 2) – 1250mm	1
12	Square tube 30 (type 3) – 1500mm	1
13	T pole mounting kit	3

Kit composition

Navbox mounting kit	40010-1305_Navbox plate 4 x M6x35 CHC hex screws 4 x M6 washers 4 x M6 locknuts 4 x M6x35 countersunk head screws 4 x M6 washers 4 x M6 locknuts
AML mounting kit	40010-1309_AML lockup 2 x M6x30 Hex screws 4 x M8 washers 2 x M8 locknuts 2 x M6x25 eyes 2 x M6 washers 2 x M6 bolts
Sigma pole mounting kit	2 x 40010-1304_Half end-part square tube 30 2 x M8x65 Hex screws 4 x M8 washers 2 x M8 locknuts 4 x M6x40 Hex screws 8 x M6 washers 4 x M6 locknuts
T pole mounting kit	2 x 40010-1303_Half T-part square tube 30 4 x M8x65 Hex screws 8 x M8 washers 4 x M8 locknuts
Trimble AV59 mounting kit	40010-1306_Trimble plate 4 x M6x35 CHC hex screws 4 x M6 washers 4 x M6 locknuts 2 x M6x55 countersunk head screws 4 x M6 washers 4 x M6 locknuts

Mounting offsets – AV59 – longit. antennas

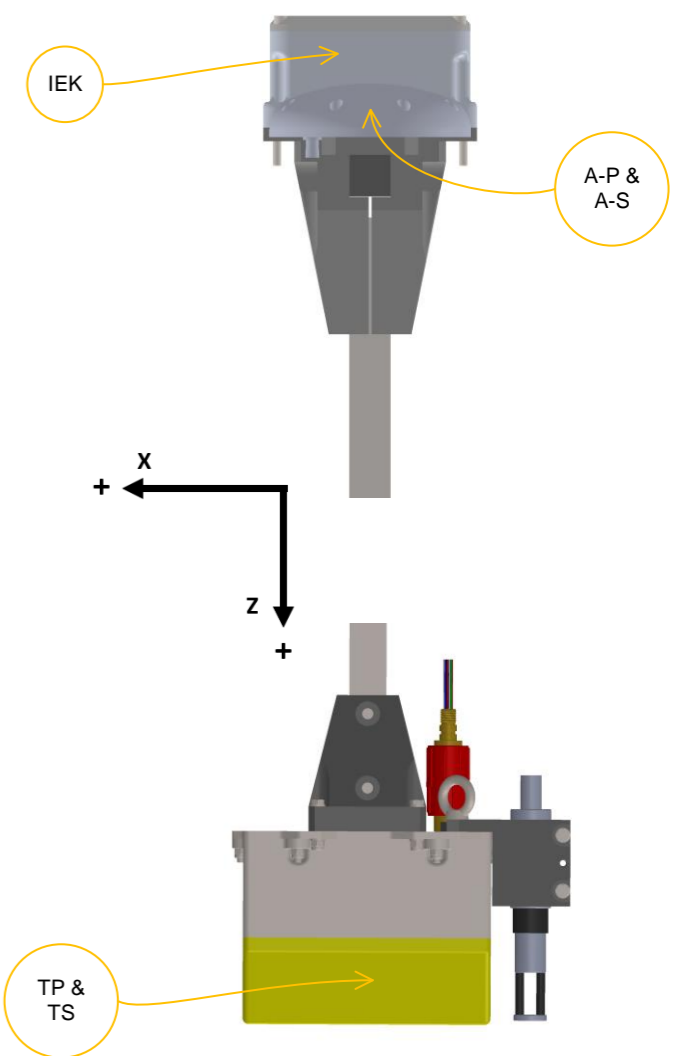
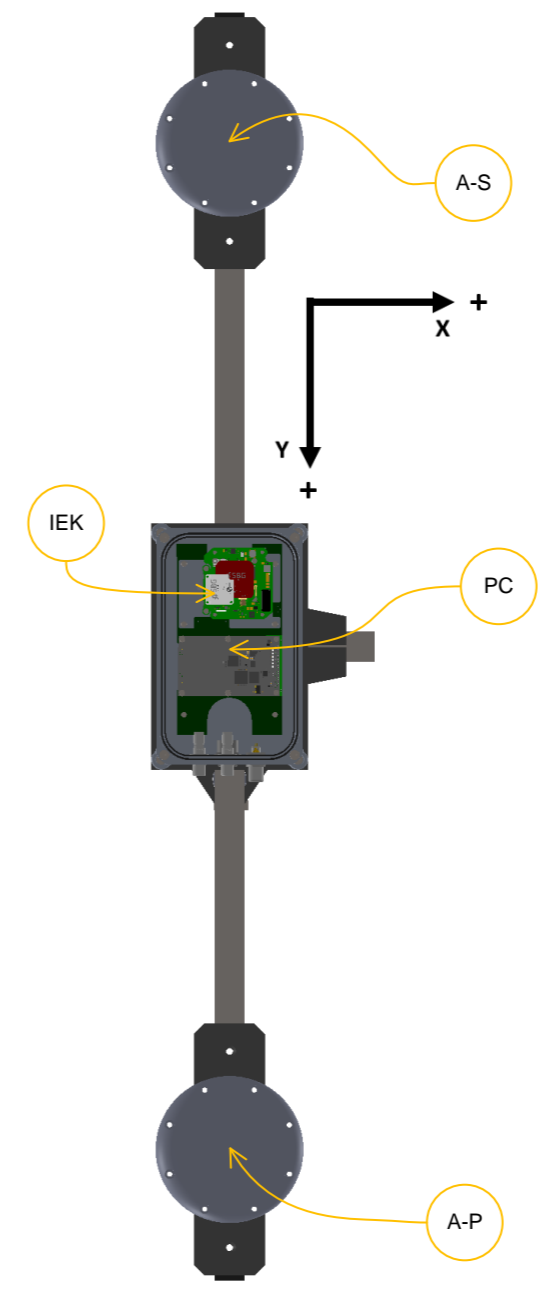
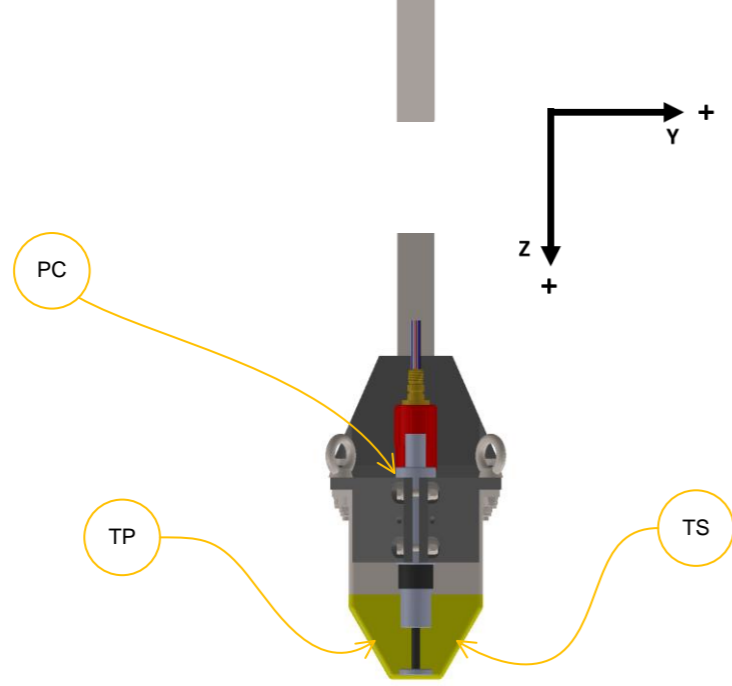
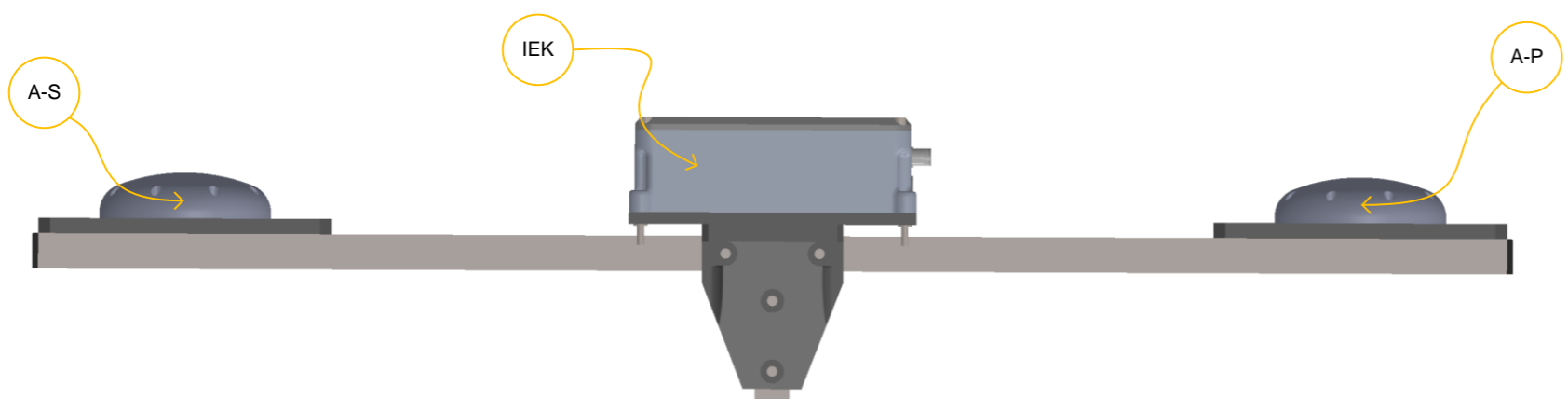
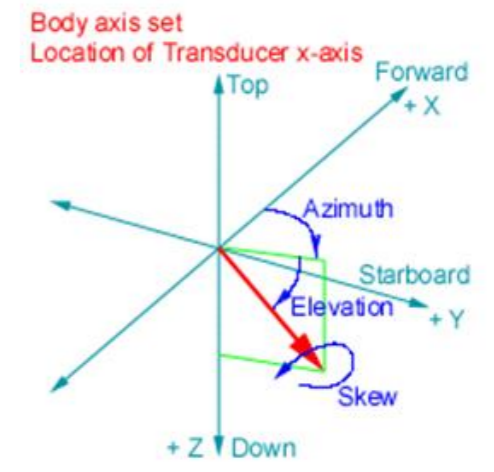



 - Pole center is the intersection of pole and top of Sonar Box.
- Value given for a 2m vertical pole, 1m antenna gap and 13mm GPS plate.

Offset with PC (dimensions in mm)

Item #	Designation	Forward (X)	Starboard (Y)	Z
PC	Pole center	0	0	0
TP	Portside transducer acoustic center	0	- 36.3	123,2
TS	Starboardside transducer acoustic center	0	36.3	123,2
IEK	Ekinox center of navigation	54,847	- 7,55	- 2138,377
A1	Trimble AV59 GNSS Antenna	-500	0	- 2071.567
A2	Trimble AV59 GNSS Antenna	500	0	- 2071.567

Mounting offsets – AV59 – lateral antennas

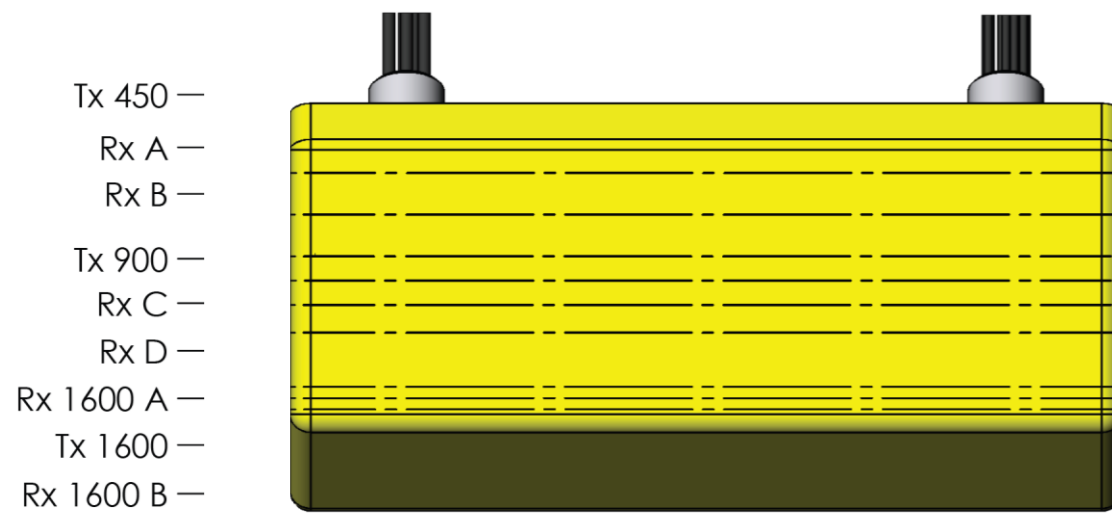


 - Pole center is the intersection of both square tube center line.
- Value given for a 2m vertical pole, 1m antenna gap and 13mm GPS plate.

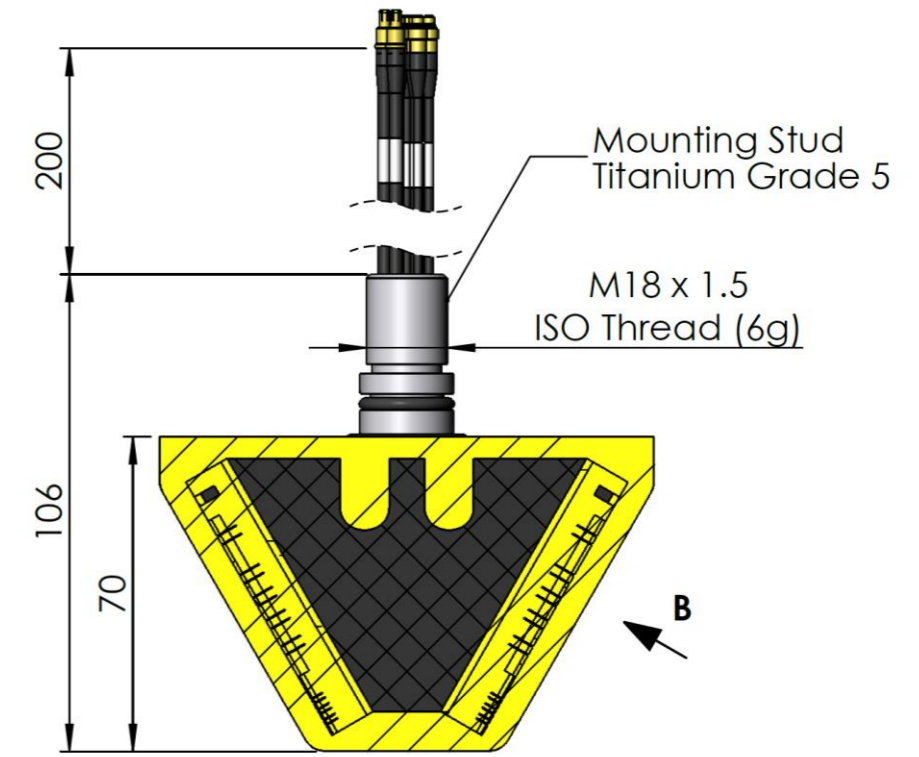
Offset with PC (dimensions in mm)

Item #	Designation	Forward (X)	Starboard (Y)	Z
PC	Pole center	0	0	0
TP	Portside transducer acoustic center	0	- 36.3	123,2
TS	Starboardside transducer acoustic center	0	36.3	123.2
IEK	Ekinox center of navigation	- 7,55	- 54,847	- 2138,377
A-P	Trimble AV59 GNSS Antenna - Primary	0	500	- 2071.567
A-S	Trimble AV59 GNSS Antenna - Secondary	0	- 500	- 2071.567


Transducer



Side view



Section view

 - Acoustic centre is half-way between staves A and D for the LF and MF channels, and half-way between the 1600 A and B staves for the HF channel.

